

Spring quick-release rail mount installation

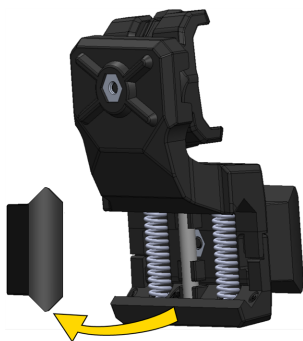


The Spring quick-release rail mount for the Axon Body 4 Flex POV lets you securely mount your Flex POV (point-of-view) camera to the Picatinny rail commonly found on special units helmets as shown above. This quick-release mount is not intended for optics that must maintain precision aim.

This guide describes how to install this mount on a Picatinny rail, on either side of a helmet or even on top.

Installation

1. Hook the bottom of the mount onto the bottom of the rail. Ensure both pins and springs inside are between shoulders of the rail.



2. Firmly press the top of the mount in until it snaps onto the rail.
3. Attach the Flex POV camera to the mount. To adjust the mount 2.5 degrees up or down from horizontal prior to adding the POV camera, see the next section.

4. Route and secure the camera cable to allow full range of movement with a minimum of loose cable that might catch on your environment (such as branches).

NOTE

This is a fiber-optic cable that, while robust, will not stop the mass of a body in motion. Treat it with the same care you would use with a precision tool.

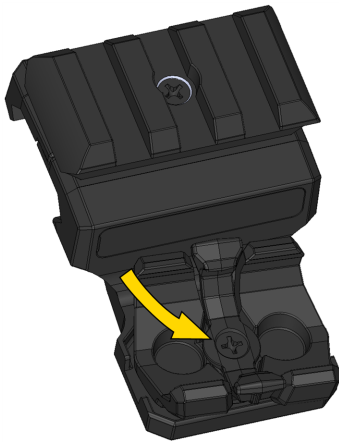
5. Connect the camera cable to the Body 4 and set the orientation as described in the [Flex POV Module](#) topic of the Body 4 camera page at my.axon.com/s/axon-body4. In most cases the Flex POV will set its up/down-facing orientation automatically.
6. If you just moved the mount to the other side of a helmet, adjust the camera angle as described in the next section.
7. Attach another accessory as needed to the Picatinny rail add-on.

Adjust the POV angle

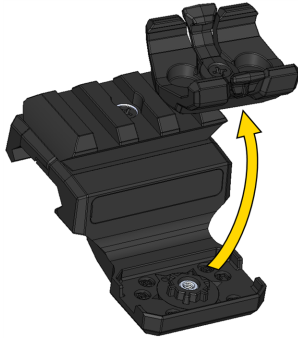
The Spring quick-release rail mount includes a vertical adjustment feature that lets you lower the view 2.5, 5, or 7.5 degrees. These positions are marked on the mount by the numbers 2, 5 and 8, respectively. Adjacent to each number is an R or L indicating a right or left side mount.

To adjust the vertical view of the POV camera:

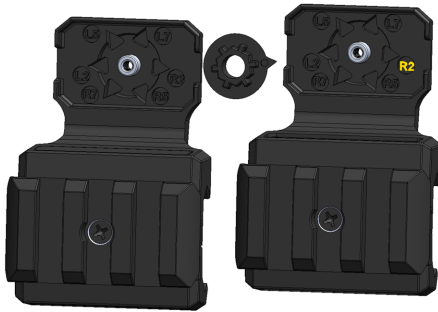
1. Use a small (#1) Phillips driver to loosen the Phillips screw in the center of the POV mounting clip.



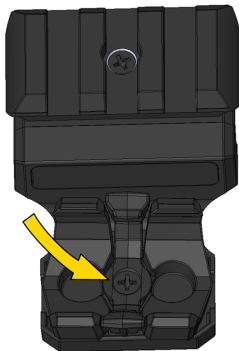
- Remove the clip, lock spring, and screw as one assembly. If the indexing hub also comes out of the mount; gently remove it from the bottom of the mounting clip.



- The indexing hub is typically positioned at R5 during manufacture. Lift the indexing hub off the mount (shown in left image below), align its pointer to the cutout point corresponding to the desired angle, and seat it fully in the mount. Numbers followed by R are for **right** side mounting, L are for **left**. Here (right image) the indexing hub is set at Right 2 degrees (shown in yellow).



- Position the POV clip on the hub so it points in the desired direction and reinstall the Phillips screw. Do not over-tighten.



Removal

After removing the POV camera, pull the camera mount portion up so the Picatinny mount opens, then tilt away and remove.

End of article